

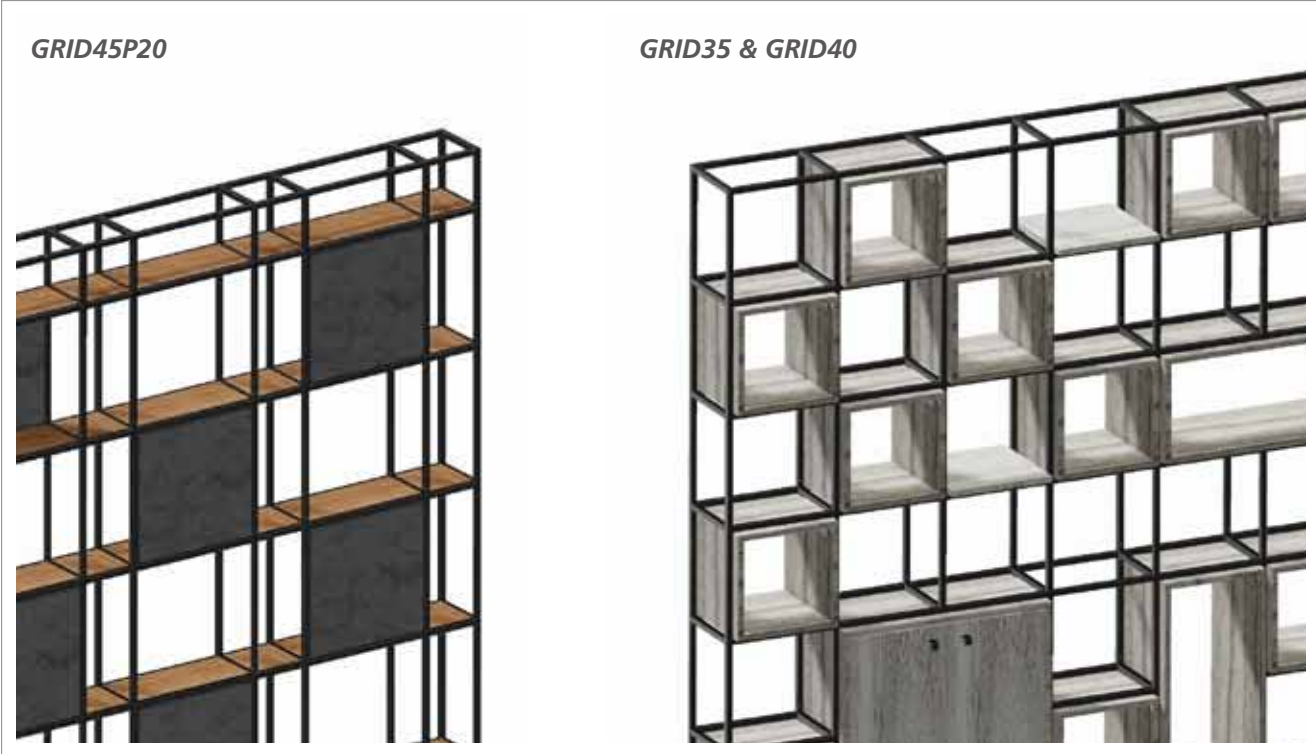
4//Space Interior Room Divider / Partition





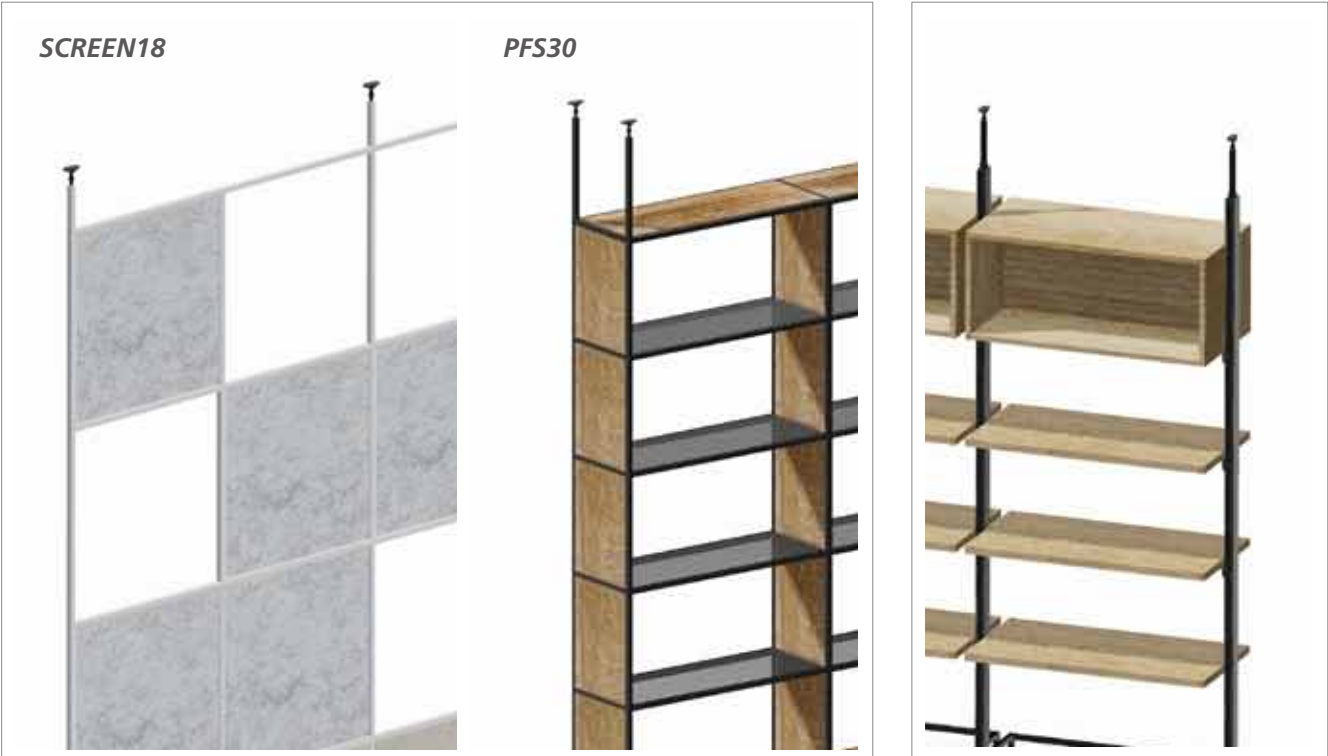
4WSpace Interior Room Divider / Partition

GRID45P20, GRID35 & GRID40 Space structure page 4 ~ 12



SCREEN18 & PFS30 page 13 ~ 22

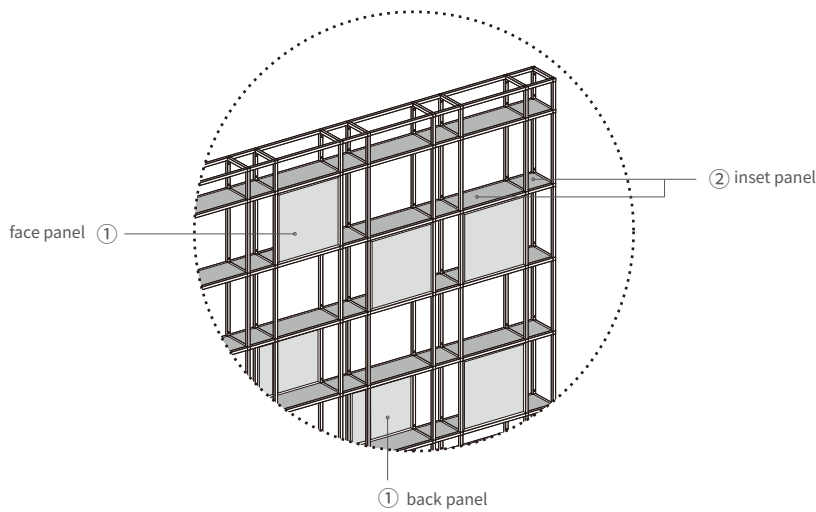
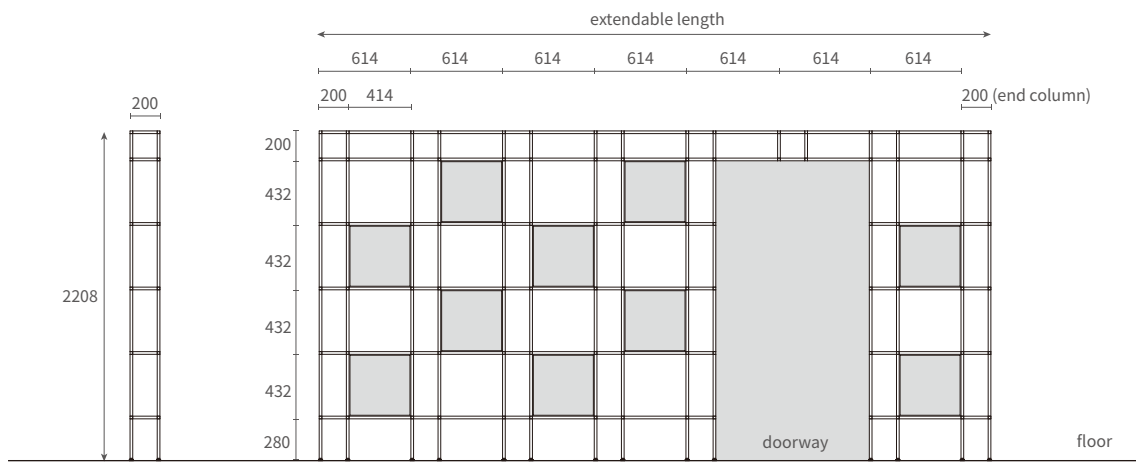
APS Pole system page 23 ~ 25



4WSpace Interior Room Divider / Partition

GRID45P20 Space Structure 格框式隔間系統

*Standard depth 200mm

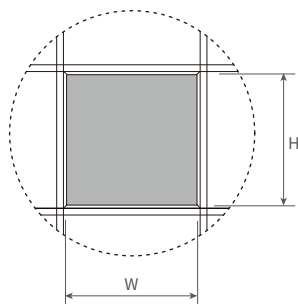


i. Face & back panel of GRID45P20

Dimensions: (W) 410 x (H) 410mm

- a. Laminated chipboard, thickness 8mm
- b. Metal mesh panel (菱形網), thickness 6.5mm
- c. Acoustic panel, thickness 12mm

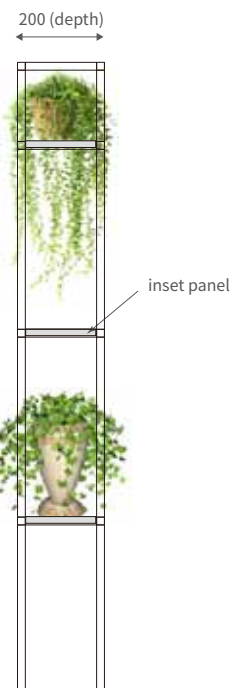
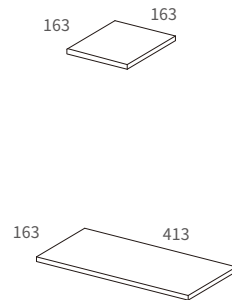
①



ii. Inset panel

- * Laminated chipboard, thickness 8 ~ 18mm
- * Glass or compact panel, thickness 5mm

②



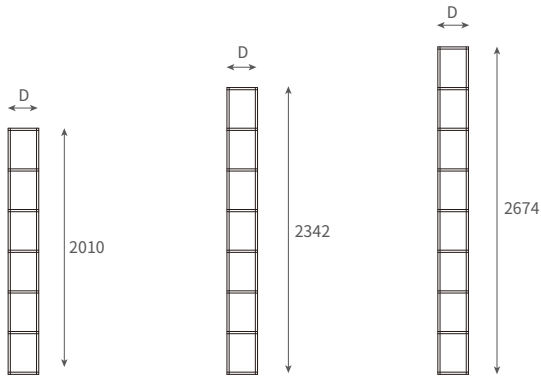
4WSpace Interior Room Divider / Partition

GRID35 / GRID40 Space Structure 格框式隔間系統

*Depth (D): 150, 200, 250 or 300mm

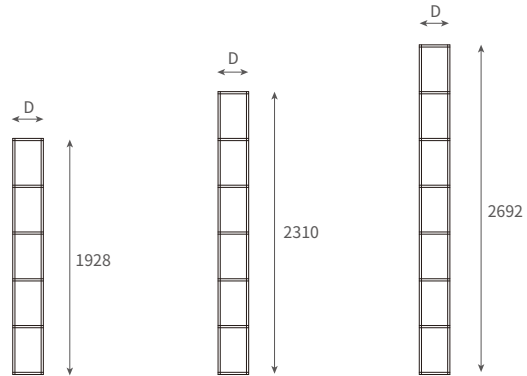
GRID35 Space structure

- 1) 6 grids *Height: 2010mm
- 2) 7 grids *Height: 2342mm
- 3) 8 grids *Height: 2674mm



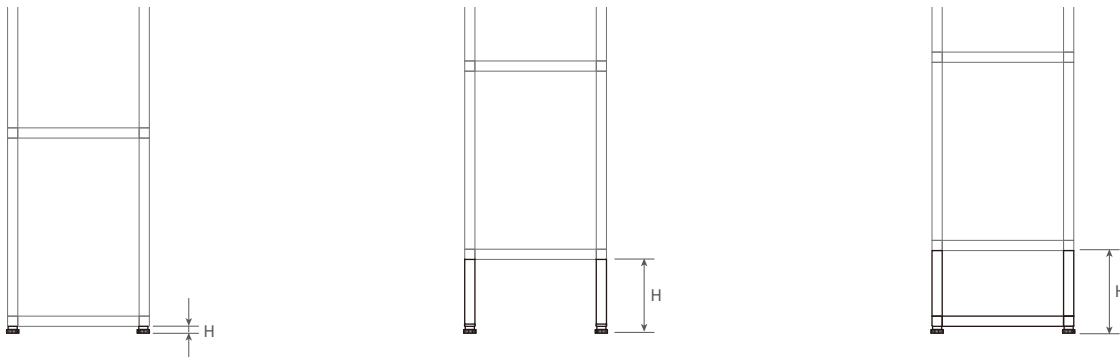
GRID40 Space structure

- 1) 5 grids *Height: 1928mm
- 2) 6 grids *Height: 2310mm
- 3) 7 grids *Height: 2692mm

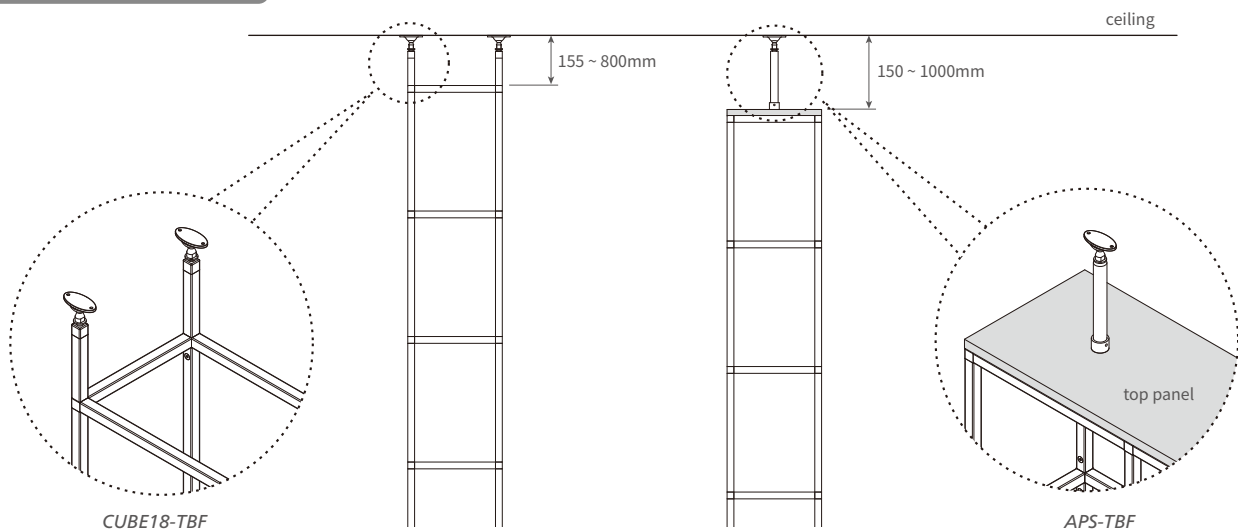


Floor fittings

- 1) *CHA222 Adjustable glide*
*Height (H): 12mm (+5)
- 2) *HBF Straight feet*
*Height (H): 130, 180, 230 & 280mm (+5)
- 3) *HBD Frame feet*
*Height (H): 140, 190, 240 & 290mm (+5)

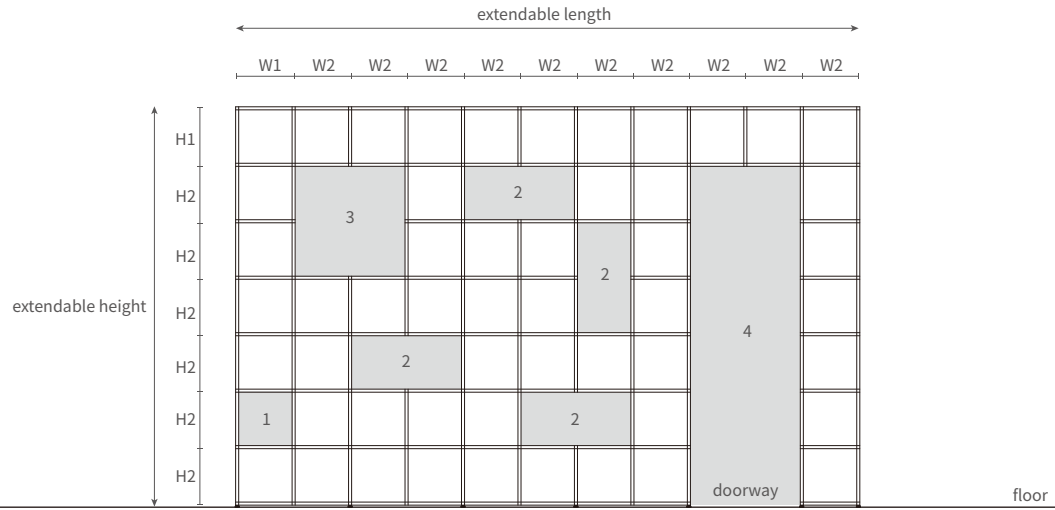


Top fixing (ceiling mounted)



4WSpace Interior Room Divider / Partition

GRID35 / GRID40 Space Structure 格框式隔間系統

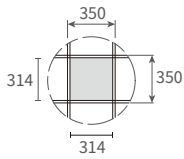


Variety of grids for face panels

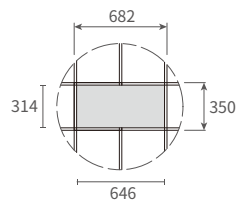
GRID35

*W1: 350mm / W2: 332mm

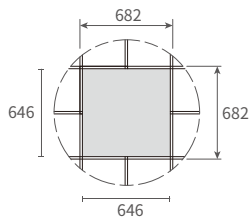
1) 350 x 350mm



2) 350 x 682mm

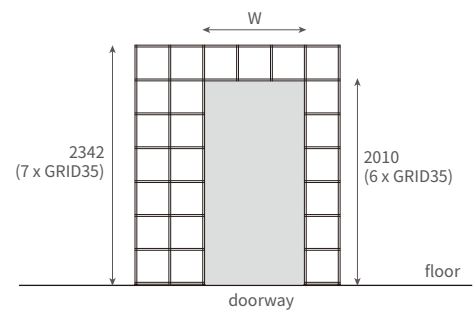


3) 682 x 682mm



4) Doorway

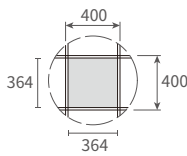
*Width (W): 682, 1014 or 1346mm



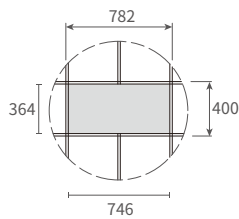
GRID40

*W1: 400mm / W2: 382mm

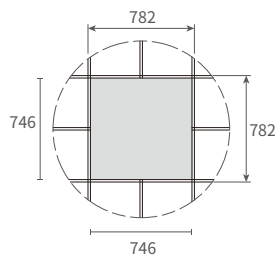
1) 400 x 400mm



2) 400 x 782mm

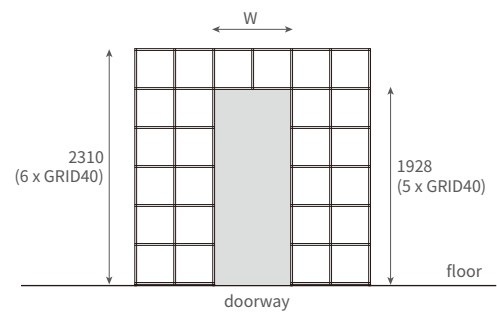


3) 782 x 782mm



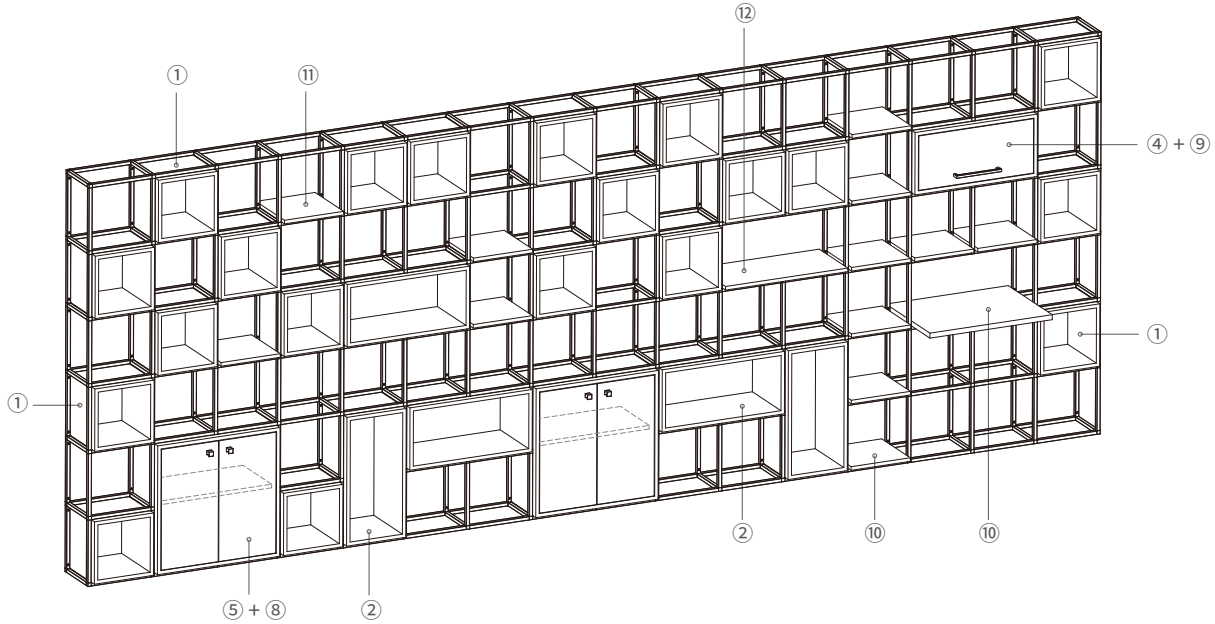
4) Doorway

*Width(W): 746 or 1128mm



4WSpace Interior Room Divider / Partition

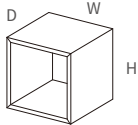
GRID35 / GRID40 System with wooden boxes, inlay doors, shelf panels or table tops



Wooden Boxes for GRID35 & GRID40

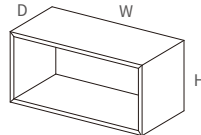
A. Open box, open front and back

①

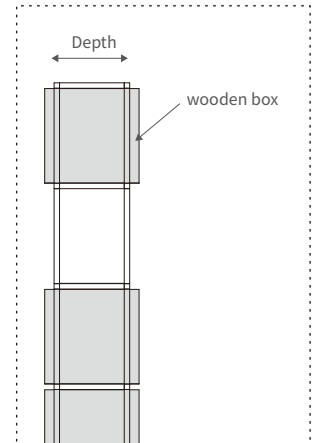


Model No.	Dimensions (D)x(W)x(H)
CP3535-35	312x312x312mm (GRID35)
CP3540-40	312x362x362mm (GRID40)

②

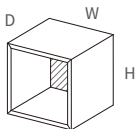


Model No.	Dimensions (D)x(W)x(H)
CP3568-35	312x644x312mm (GRID35)
CP3578-40	312x744x362mm (GRID40)



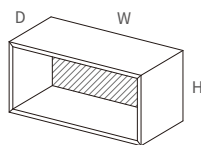
B. Shelf case, with back panel

③



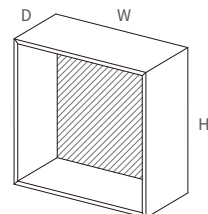
Model No.	Dimensions (D)x(W)x(H)
CB3535-35	312x312x312mm (GRID35)
CB3540-40	312x362x362mm (GRID40)

④



Model No.	Dimensions (D)x(W)x(H)
CB3568-35	312x644x312mm (GRID35)
CB3578-40	312x744x362mm (GRID40)

⑤

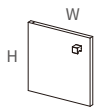


Model No.	Dimensions (D)x(W)x(H)
CB3568-68	312x644x644mm (GRID35)
CB3578-78	312x744x744mm (GRID40)

4WSpace Interior Room Divider / Partition

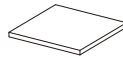
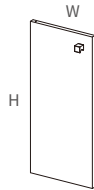
C. Inlay door (18mm T.) with Ø35mm cup hinges

⑥



Model No.	Dimensions (W)x(H)
ID3535	272x272mm (GRID35)
ID4040	322x322mm (GRID40)

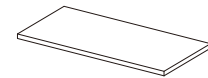
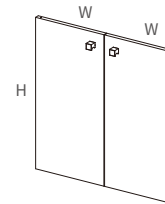
⑦



*With 1 shelf panel

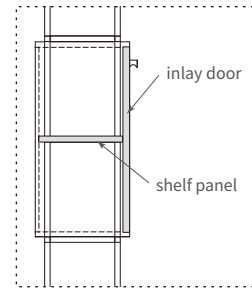
Model No.	Dimensions (W)x(H)
ID3568SH	272x604mm (GRID35)
ID4078SH	322x704mm (GRID40)

⑧



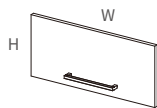
*With 1 shelf panel

Model No.	Dimensions (W)x(H)
ID6868SH	300x604mm (GRID35)
ID7878SH	350x704mm (GRID40)

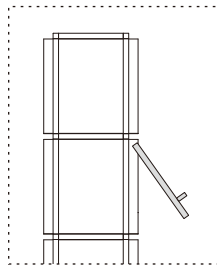


D. Inlay flap door (18mm T.) with 22360 lift flap hinge

⑨

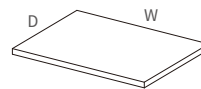


Model No.	Dimensions (W)x(H)
IF3568	604x272mm (GRID35)
IF4078	704x322mm (GRID40)

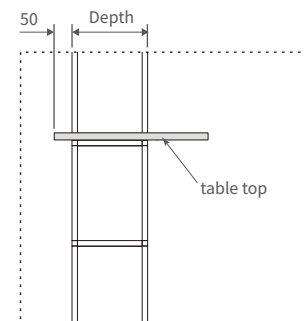


E. Table top (25mm T.)

⑩

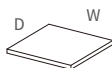


Model No.	Dimensions (W)x(D)
TSH4868	644x480mm (GRID35)
TSH4878	744x480mm (GRID40)



F. Shelf panel (18mm T.)

⑪

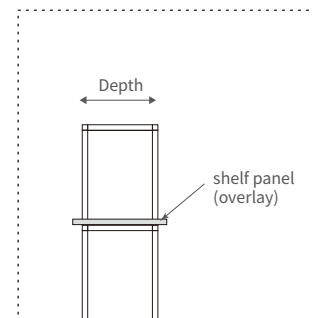


Model No.	Dimensions (W)x(D)
SH3535	312x312mm (GRID35)
SH4040	362x362mm (GRID40)

⑫



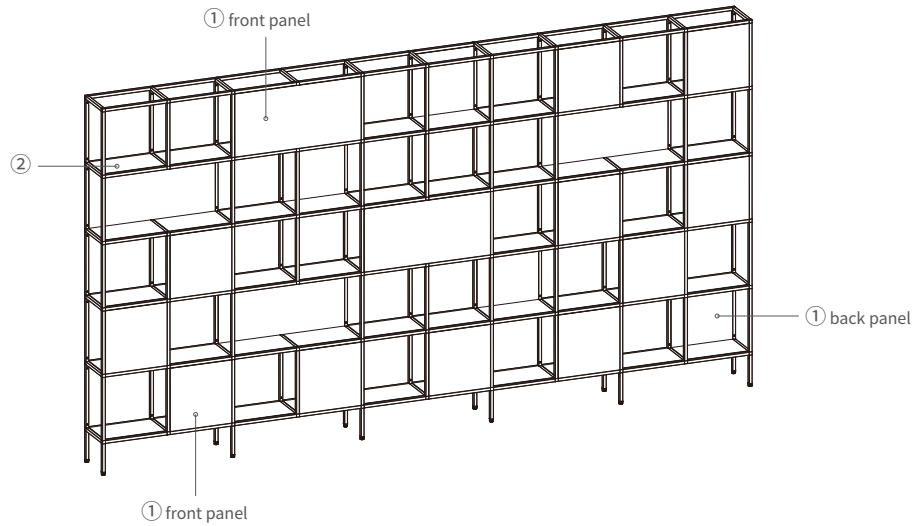
Model No.	Dimensions (W)x(D)
SH3568	644x312mm (GRID35)
SH4078	744x362mm (GRID40)



4Wspace Interior Room Divider / Partition

GRID35 / GRID40 Space Structure 格框式隔間系統

With face panels & inset shelf panels

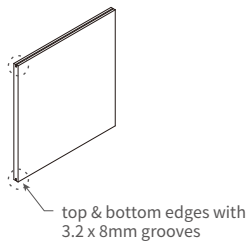
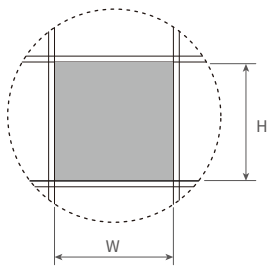


i. Face or back panel of GRID35 & GRID40

a. Laminated chipboard

*Laminated chipboard, thickness 18mm

①



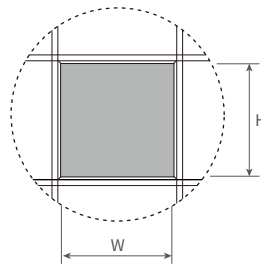
Model No.	Dimensions (W)x(H)
GRID35	
LC3535-35	313x313mm
LC3568-35	645x313mm
GRID40	
LC4078-40	363x363mm
LC4078-40	745x363mm

b. Glass or acoustic panel

*Glass panel, thickness 5mm

*Acoustic panel, thickness 9 or 12mm

①



Model No.	Dimensions (W)x(H)
GRID35	
GA3535-35	310x310mm
GA3568-35	642x310mm
GRID40	
GA4078-40	360x360mm
GA4078-40	742x360mm

ii. Inset shelf panel

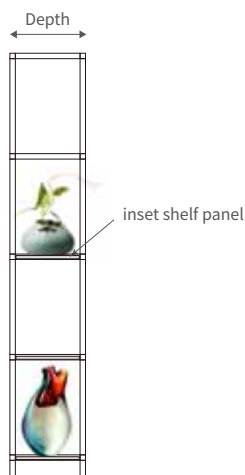
*Laminated panel, thickness 8mm

*Glass or compact panel, thickness 5mm

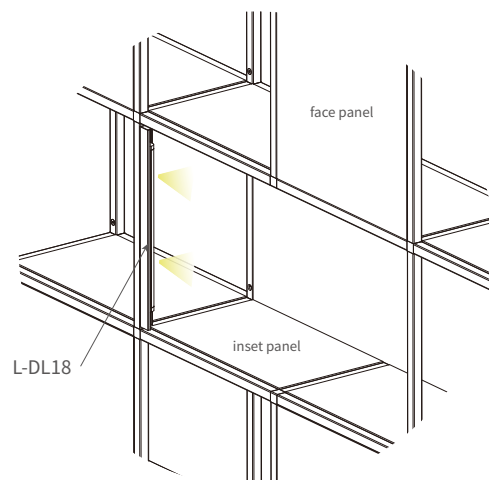
②



Depth	ID	IW
GRID35		
150mm	113mm	313mm
200mm	163mm	&
250mm	213mm	645mm
300mm	263mm	
GRID40		
150mm	113mm	363mm
200mm	163mm	&
250mm	213mm	745mm
300mm	263mm	

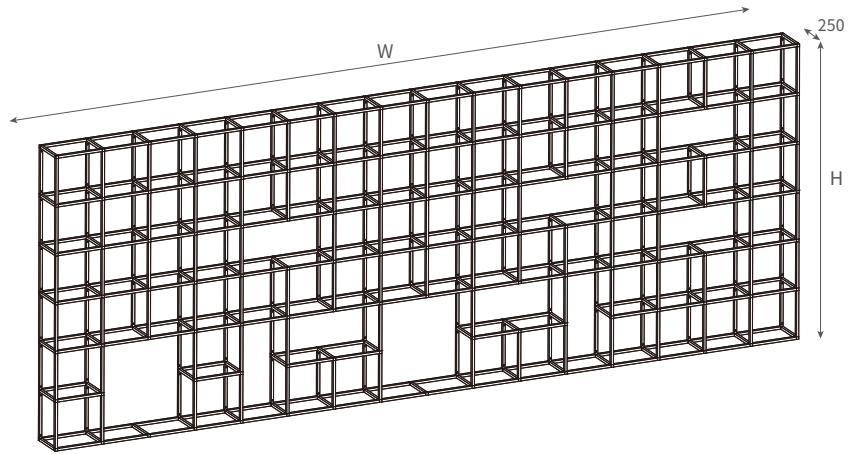
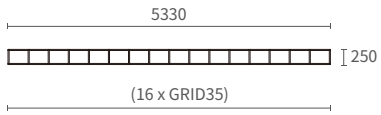


iii. With DL18 LED linear light

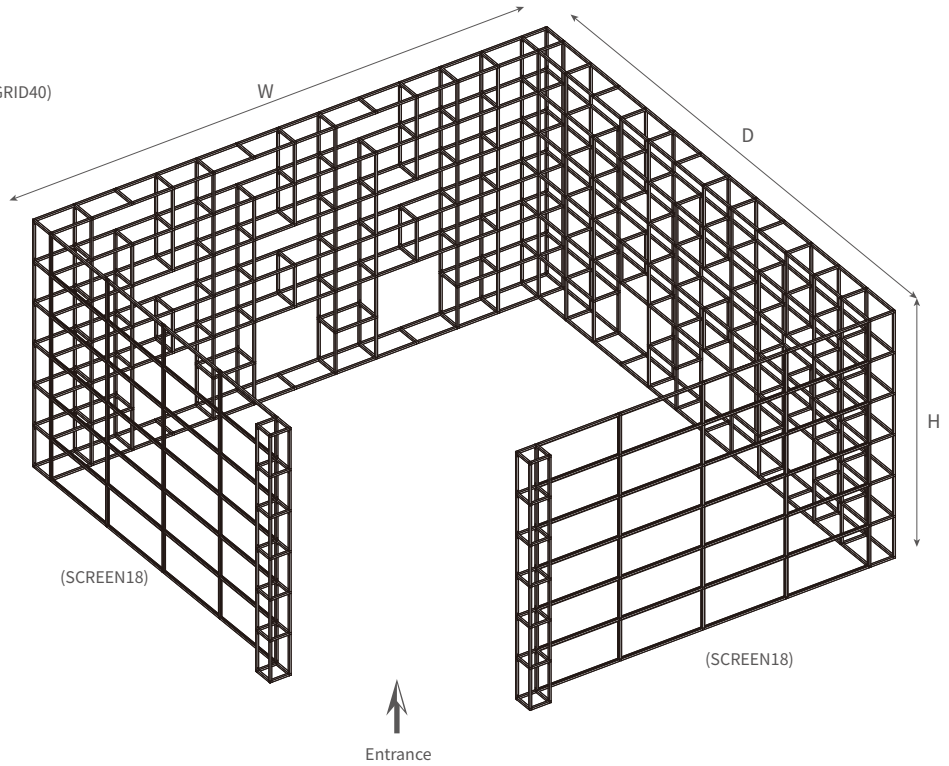
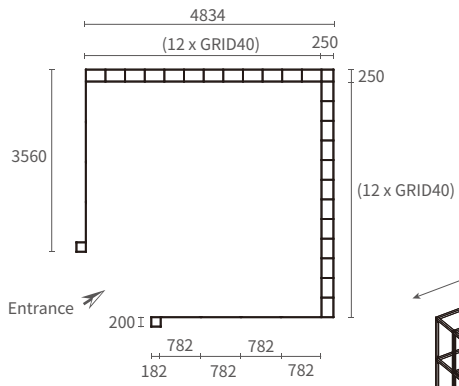


4WSpace Interior Room Divider / Partition

GRID35 Space Structure, 1 - Side

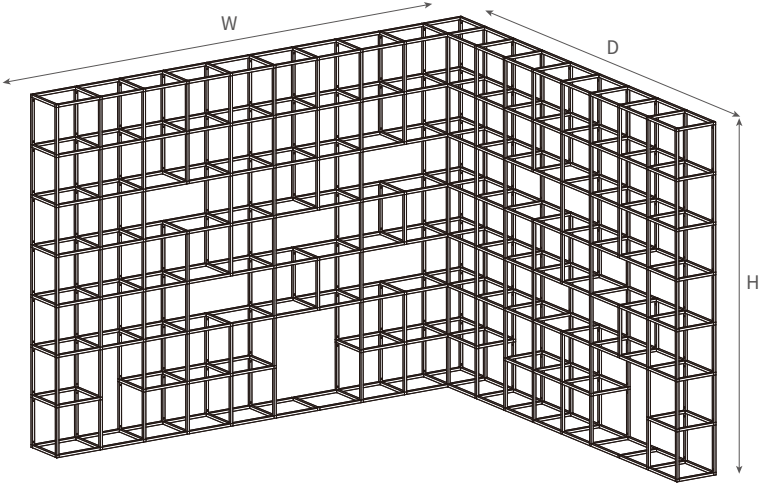
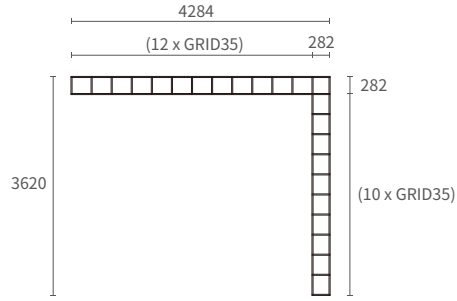


GRID40 & SCREEN18 Space Structure, 4 - Sides

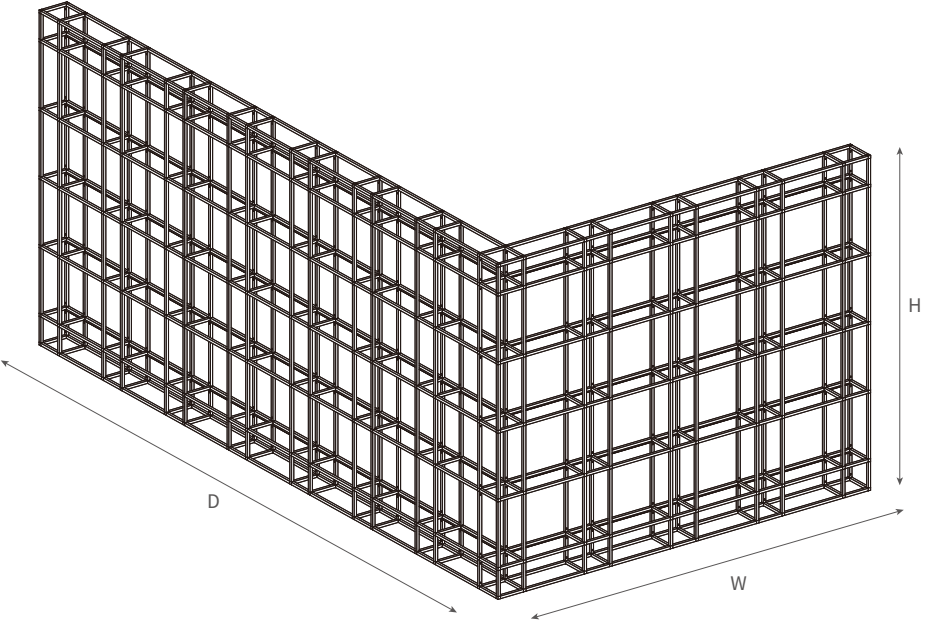
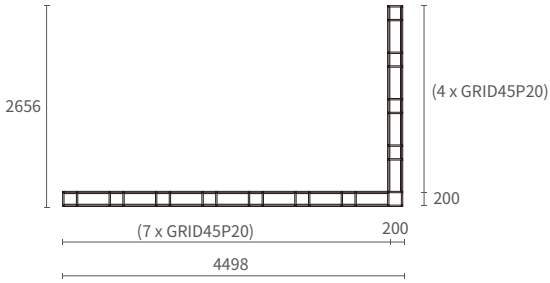


4WSpace Interior Room Divider / Partition

GRID35 Space Structure, L Corner

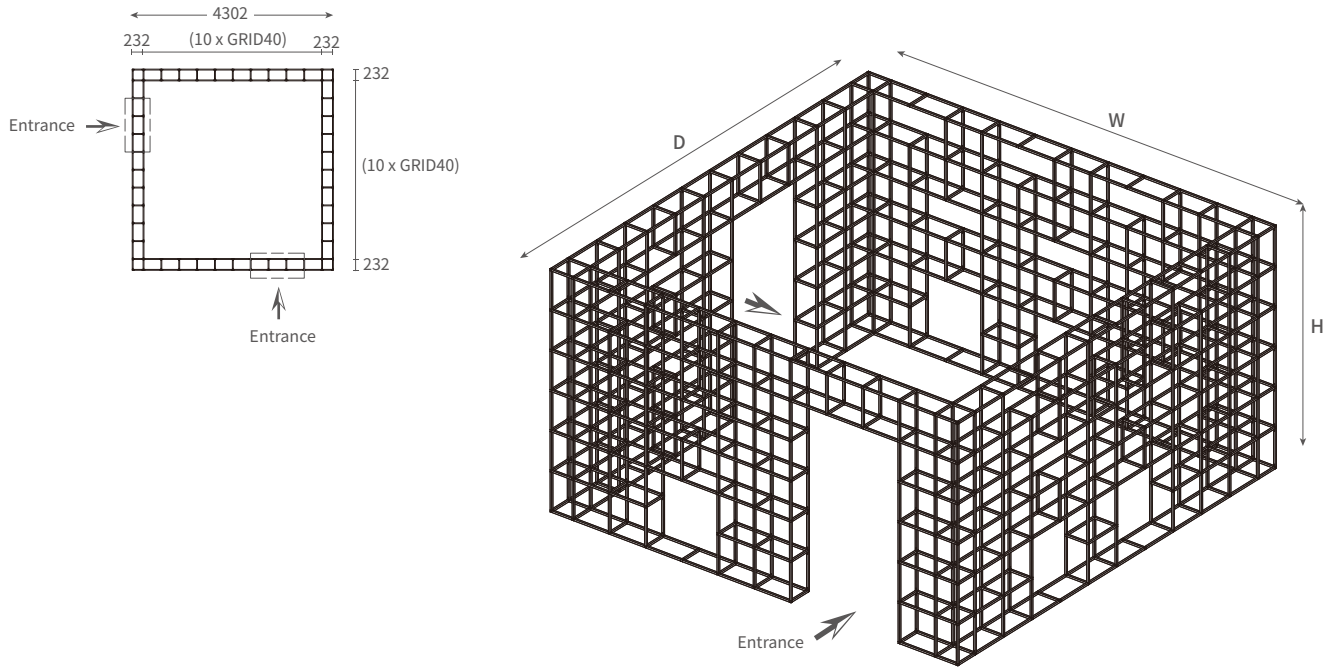


GRID45P20 Space Structure, L Corner

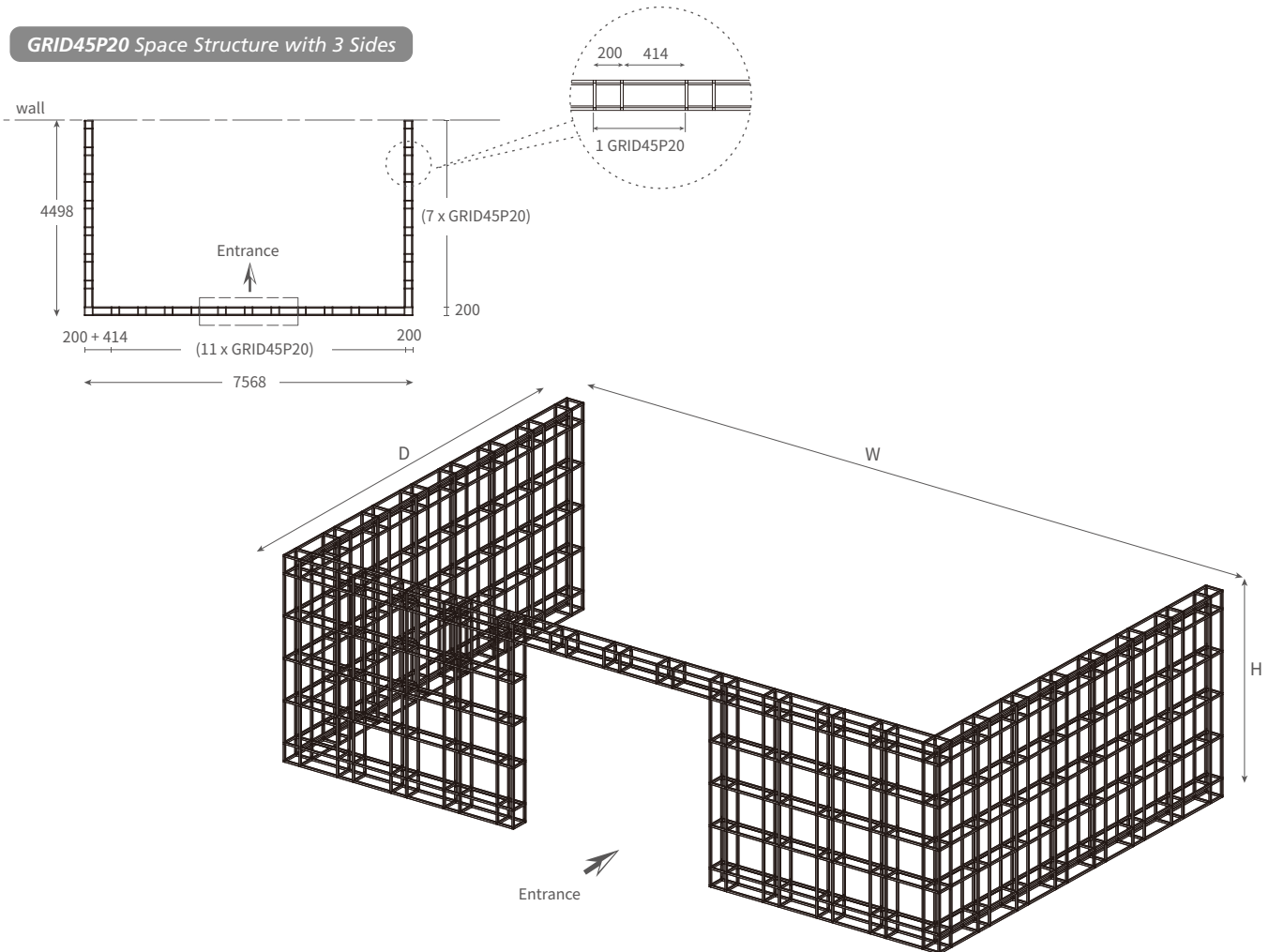


4WSpace Interior Room Divider / Partition

GRID40 Space Structure with 4 Sides



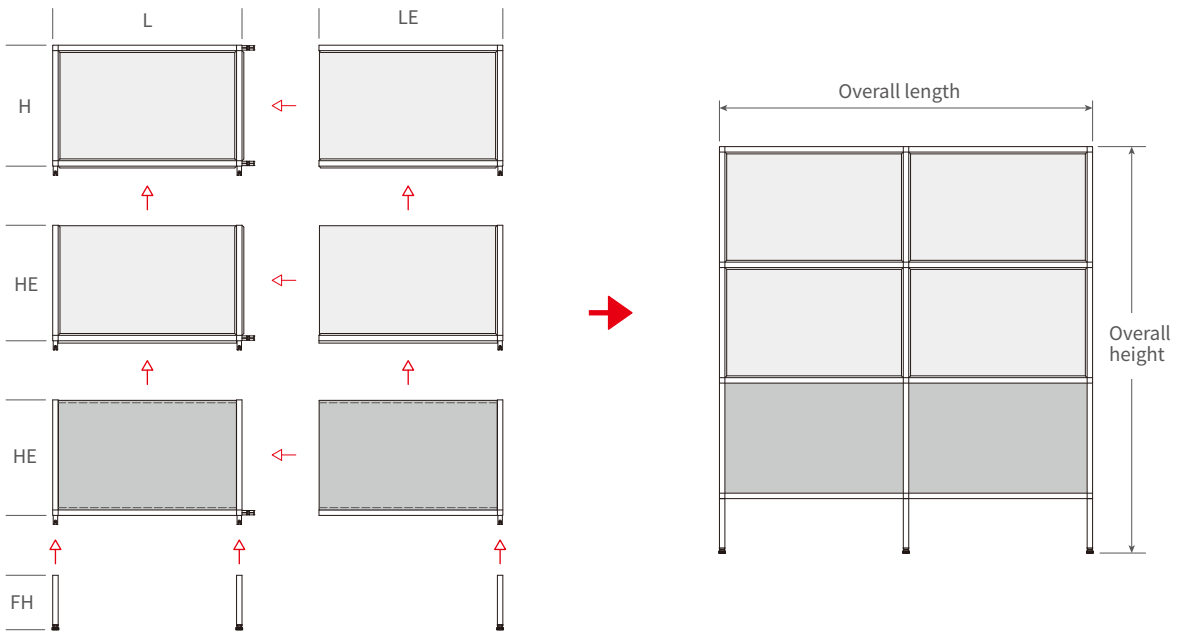
GRID45P20 Space Structure with 3 Sides



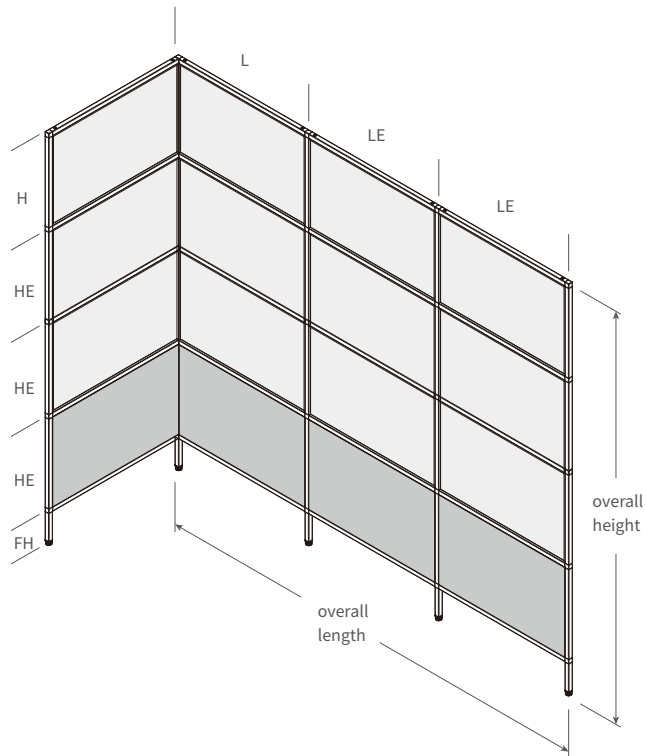
4WSpace Interior Room Divider / Partition

SCREEN18 Room Partition 框屏式隔間系統

*Aluminium framed screen modules with systemized dimensions enable building customized partitions for different purposes
 模組化鋁框尺寸, 可彈性組合成客製設計之各種空間隔屏



- Length (L): 400, 600, 800 & 1000mm
- Extension length (LE): 382, 582, 782 & 982mm
- Height (H): 300, 400, 500 & 600mm
- Extension height (HE): 282, 382, 482 & 582mm
- Floor height (FH): 130, 180, 230 & 280mm



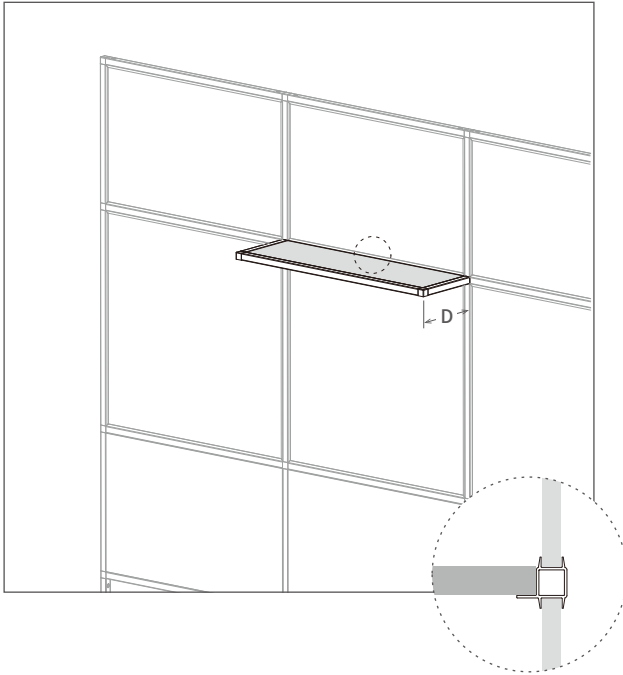
4WSpace Interior Room Divider / Partition

SCREEN18 Room Partition 框屏式隔間系統

*Optional with shelf, cabinet, table frames, with or without power strip
 可選配層板, 櫃架, 桌框或電源插座

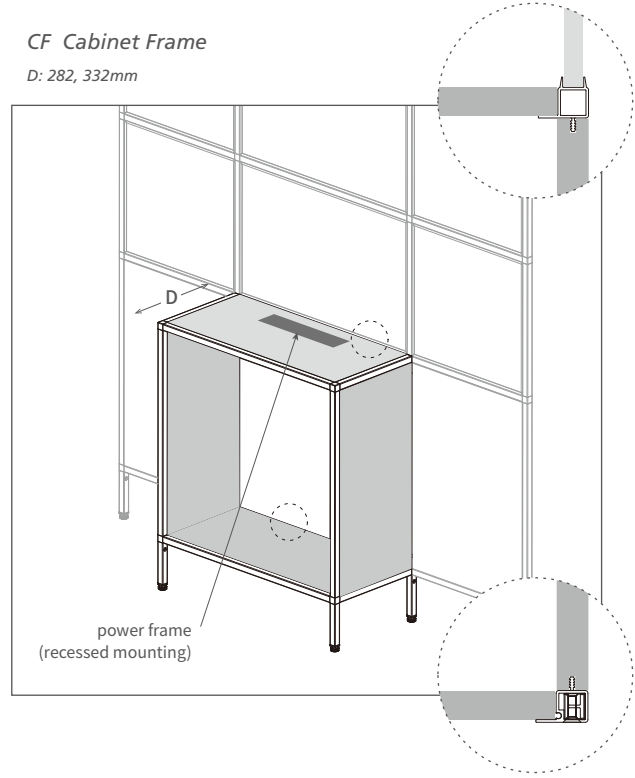
SF Shelf Frame

D: 182, 232, 282mm



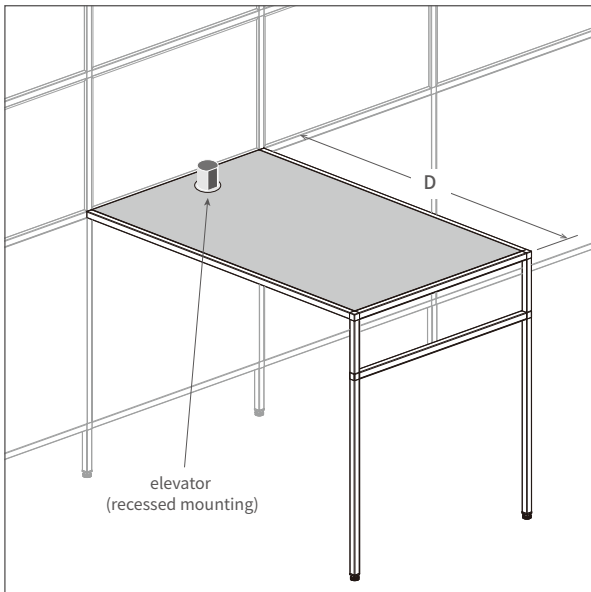
CF Cabinet Frame

D: 282, 332mm



TLF Table Leg Frame

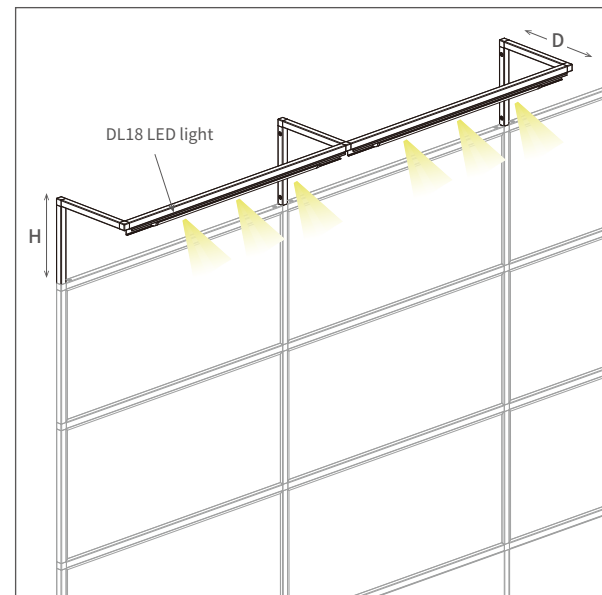
D: 782, 882, 982mm



LTR L Top Rack

D: 250, 300, 350mm

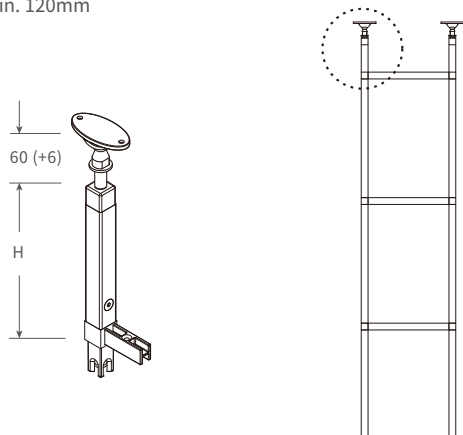
H: 132, 232, 332mm



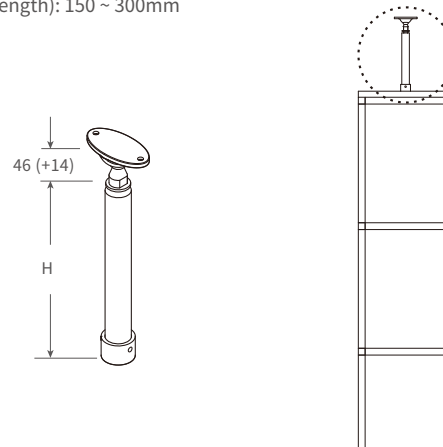
4WSpace Interior Room Divider / Partition

Top Fixing Accessories 頂天立地五金固定件

CUBE18-TBF
*H: Min. 120mm



APS-TBF
*H (cut length): 150 ~ 300mm



CUBE18-TBF



APS-TBF

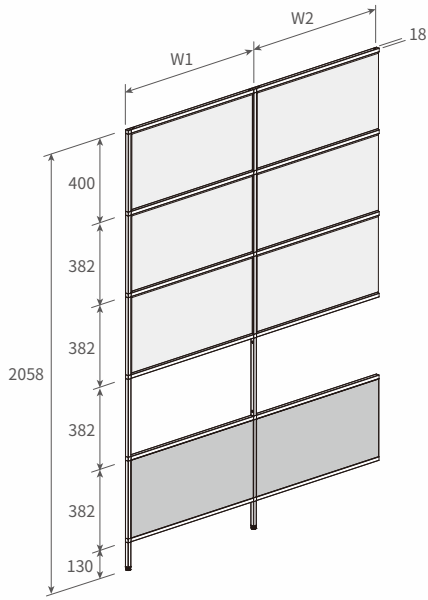


4Wspace Interior Room Divider / Partition

SCREEN18 Room Partition 框屏式隔間系統

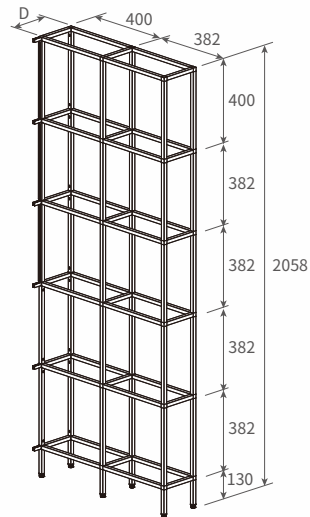
SCREEN18

W1= 400, 600, 800 & 1000mm
 W2= 382, 582, 782 & 982mm
 H= 2058mm



GRID40

D= 150, 200, 250 & 300mm
 H= 2058mm



SCREEN18 + GRID40

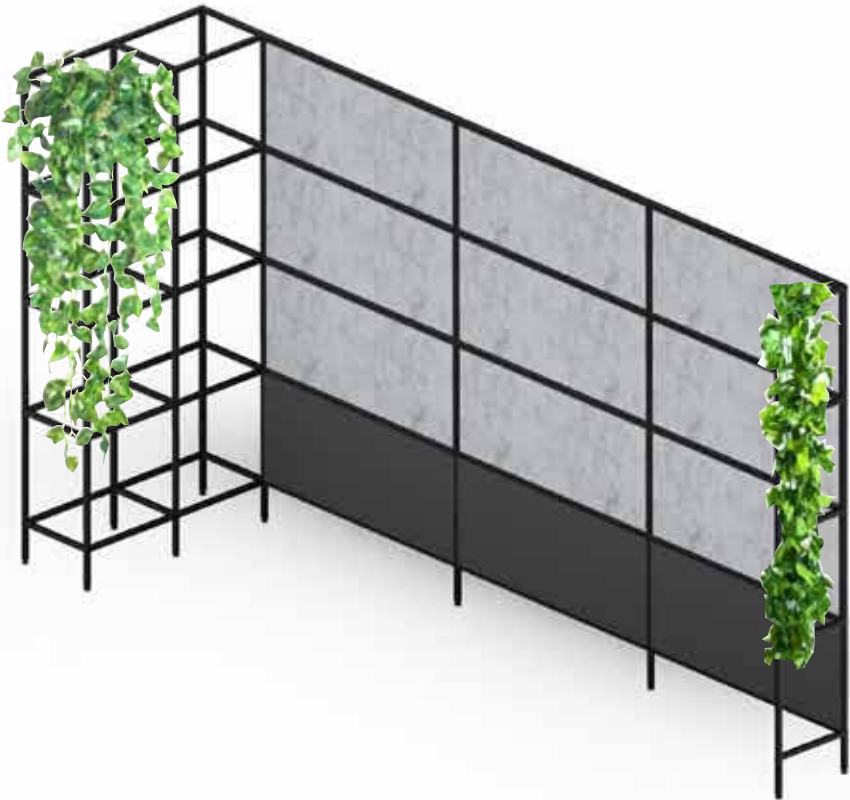
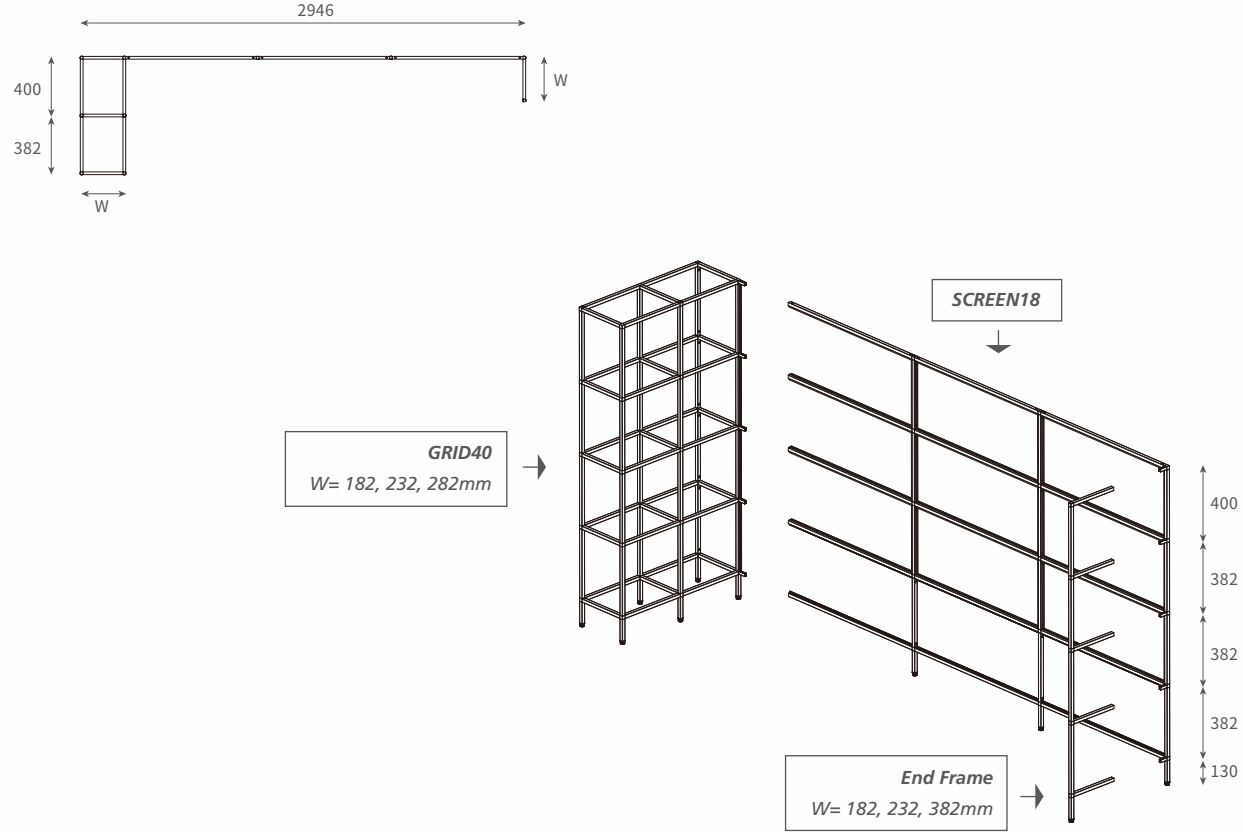


Dimensions:
 (L) 1782
 (W) 782
 (H) 2058

4Wspace Interior Room Divider / Partition

SCREEN18 Room Partition 框屏式隔間系統

*With GRID40 & End Frame

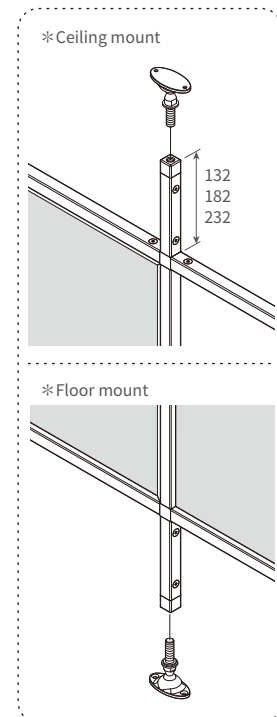
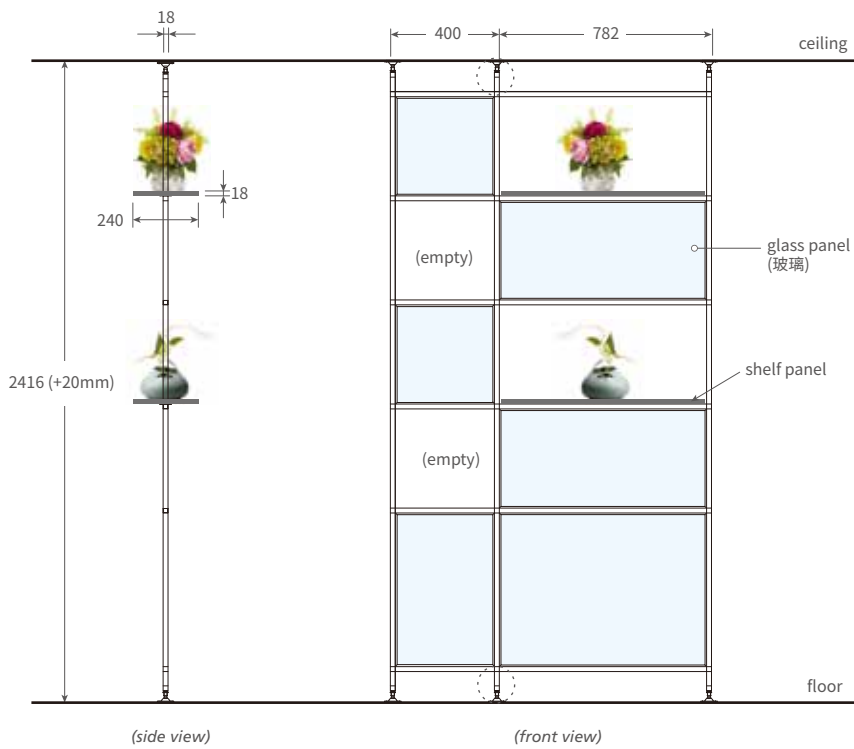
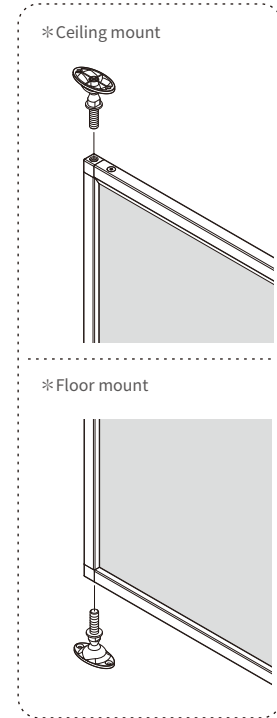
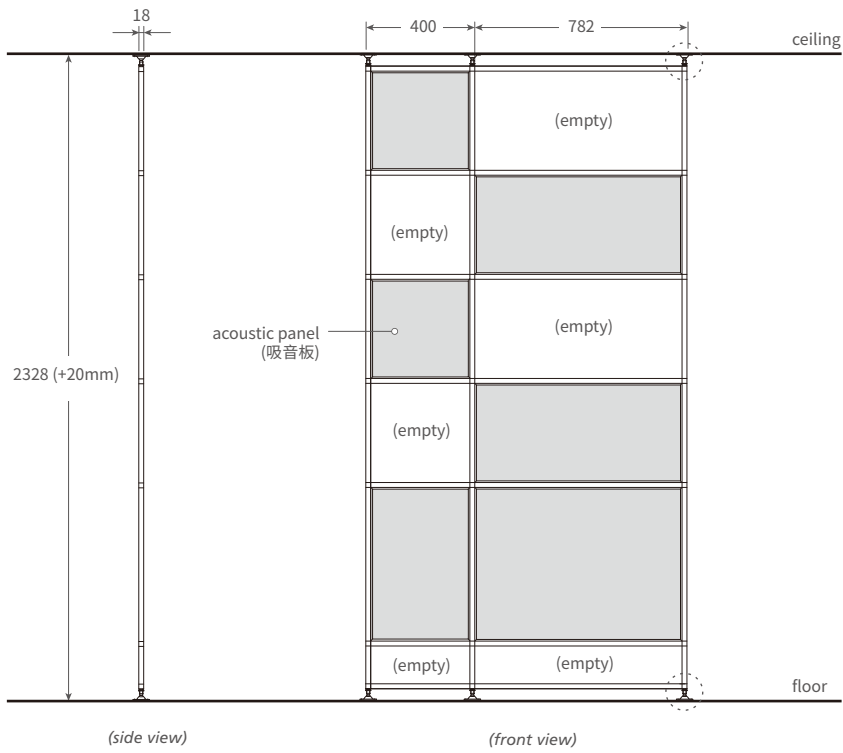


Dimensions:
(L) 2946
(D) 782
(H) 1676

4WSpace Interior Room Divider / Partition

SCREEN18 Room Partition 框屏式隔間系統

* Floor & ceiling mounted 頂天立地式框屏隔間



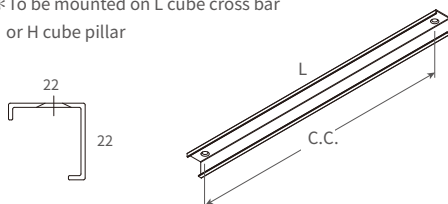
4WSpace Interior Room Divider / Partition

SCREEN18 Room Partition 框屏式隔間系統

L-DL18

CUBE18 Aluminium Shell

*To be mounted on L cube cross bar
or H cube pillar



Model No.	Length (L) / Center to center(C.C.)
L40-DL18	354 / 324mm
L60-DL18	554 / 524mm
L80-DL18	754 / 724mm
L100-DL18	954 / 924mm

DL18

LED Linear Light, 24 Vdc

*Color temperature: 3,000K / CRI90 or 5,700K / CRI90



DL18-1L
(L=293mm)



DL18-2L
(L=578mm)

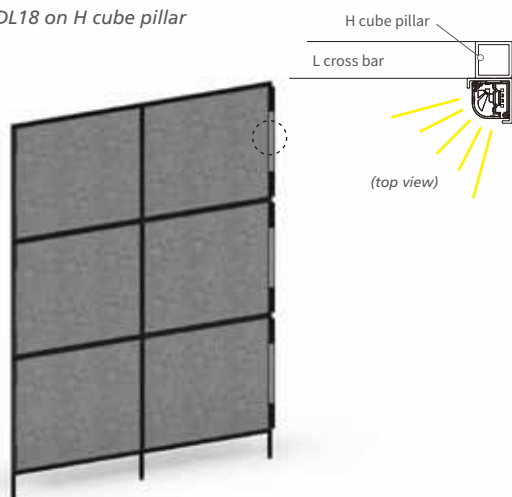
DL18 under L top rack



DL18 under shelf frame



DL18 on H cube pillar

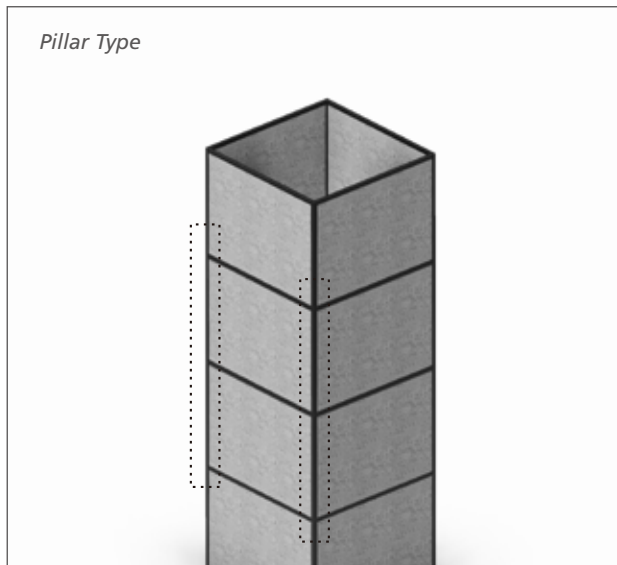
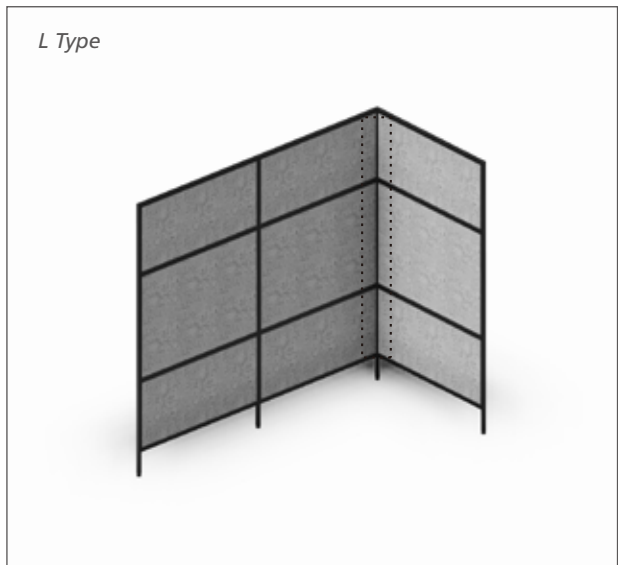
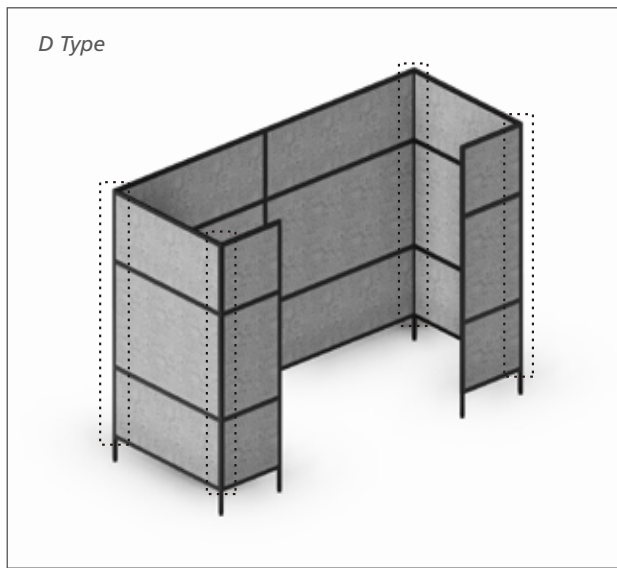
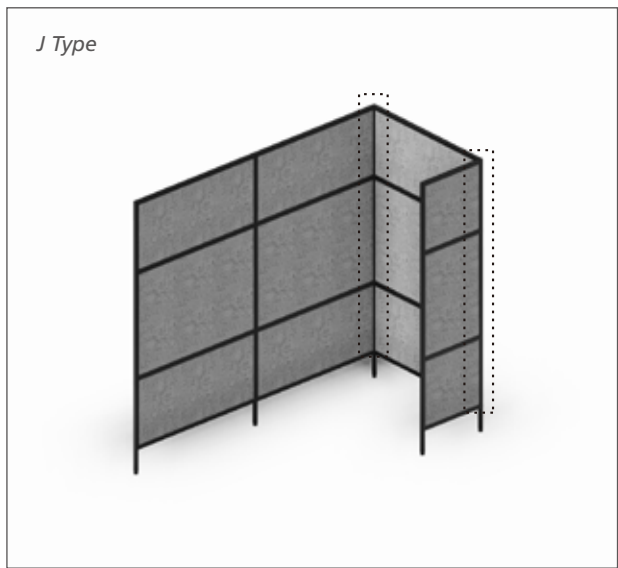
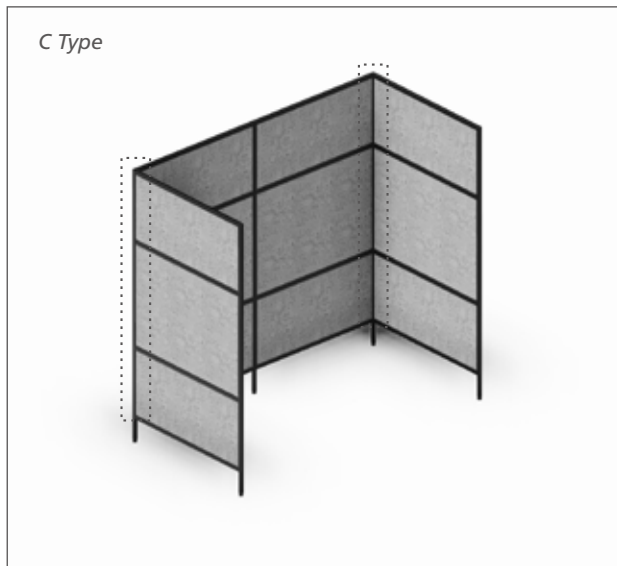
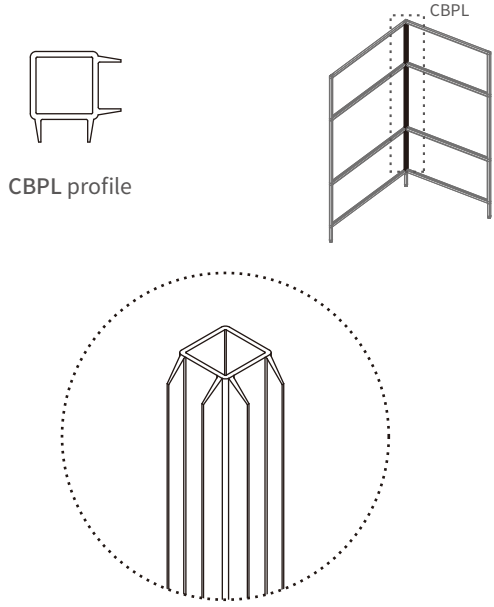


DL18 on wall panel cross bar



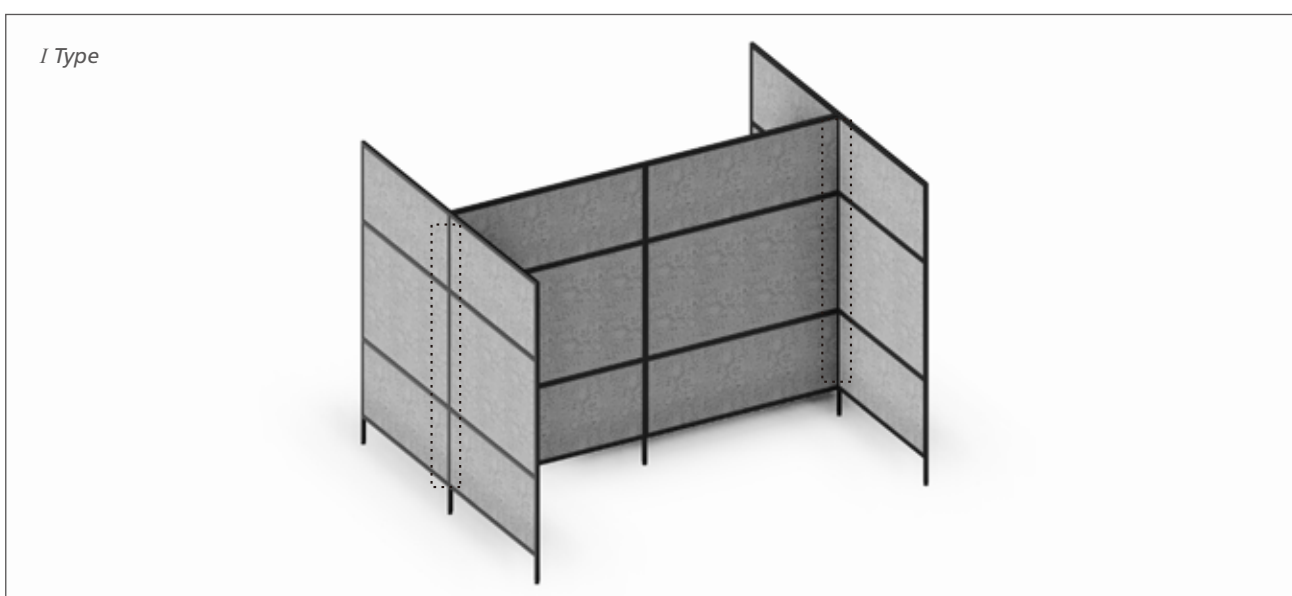
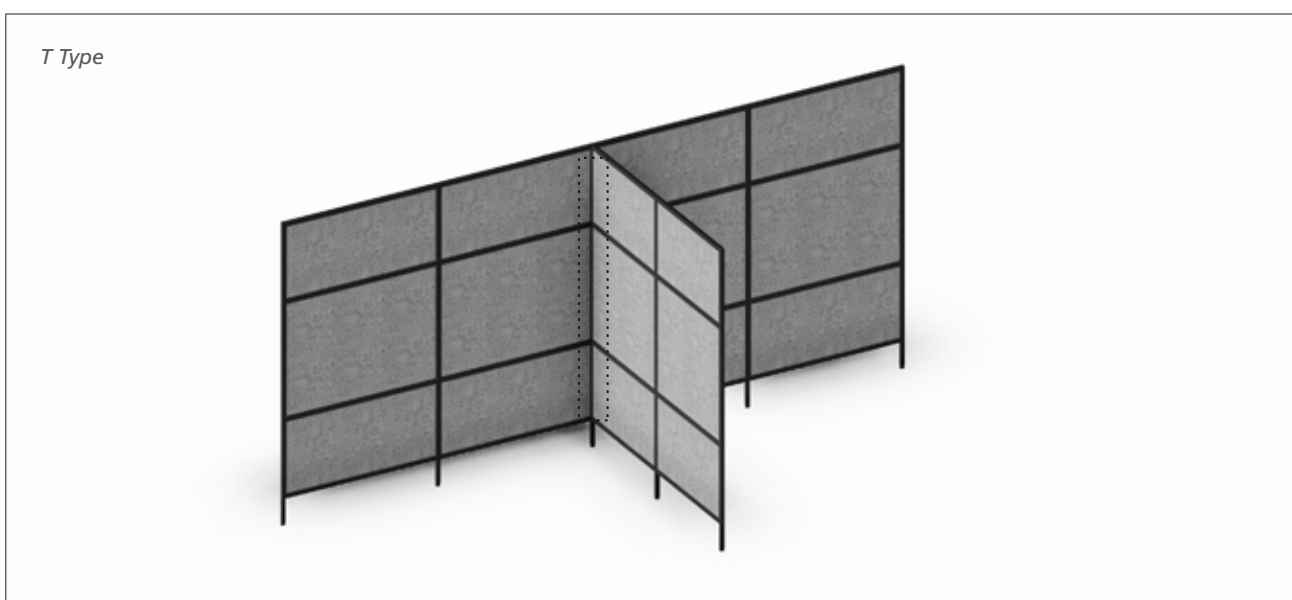
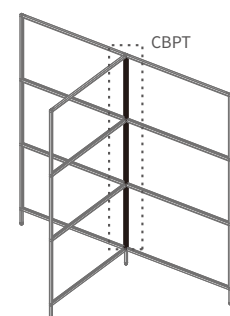
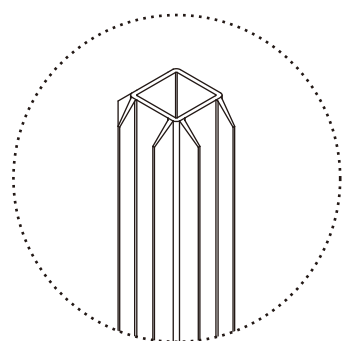
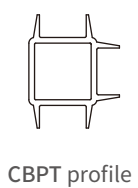
4WSpace Interior Room Divider / Partition

SCREEN18 Room Partition 框屏式隔間系統



4WSpace Interior Room Divider / Partition

SCREEN18 Room Partition 框屏式隔間系統



4Wspace Interior Room Divider / Partition

PFS30 Cube Room Divider 框架式隔間結構

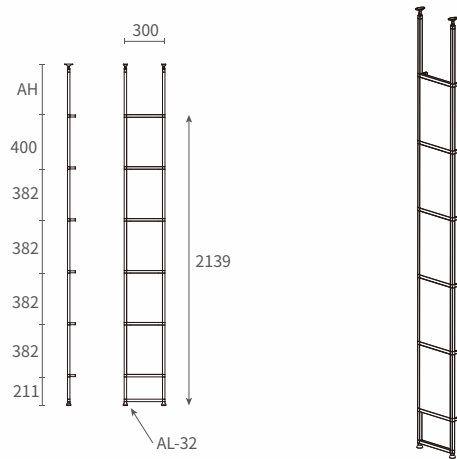
*Depth: 300mm

PFS30EF

Framed End Stand, with side panel

* Left or right side

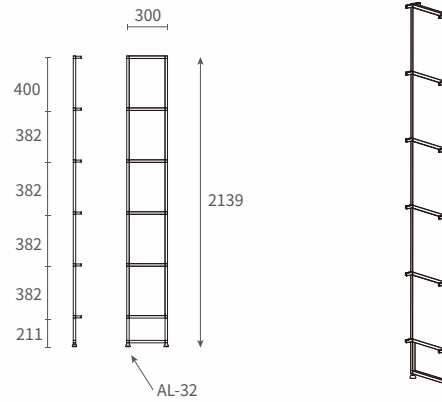
* With APS-TBF top fixing, AH: 155 ~ 800mm



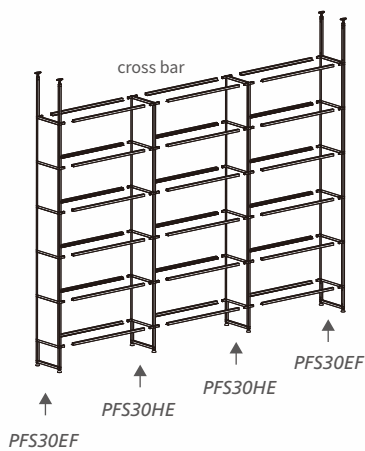
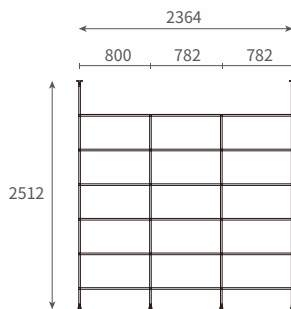
PFS30HE

Extension Framed Stand, with side panel

* Linking left or right side



PFS30 Room Divider



*With PLD100 LED down light

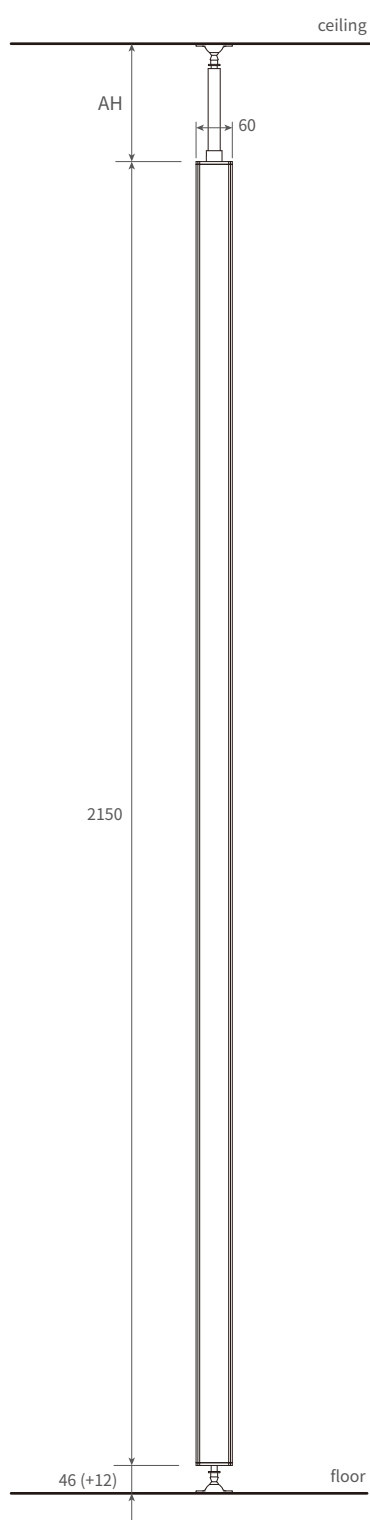


Dimensions:
(L) 2364
(D) 300
(H) 2512

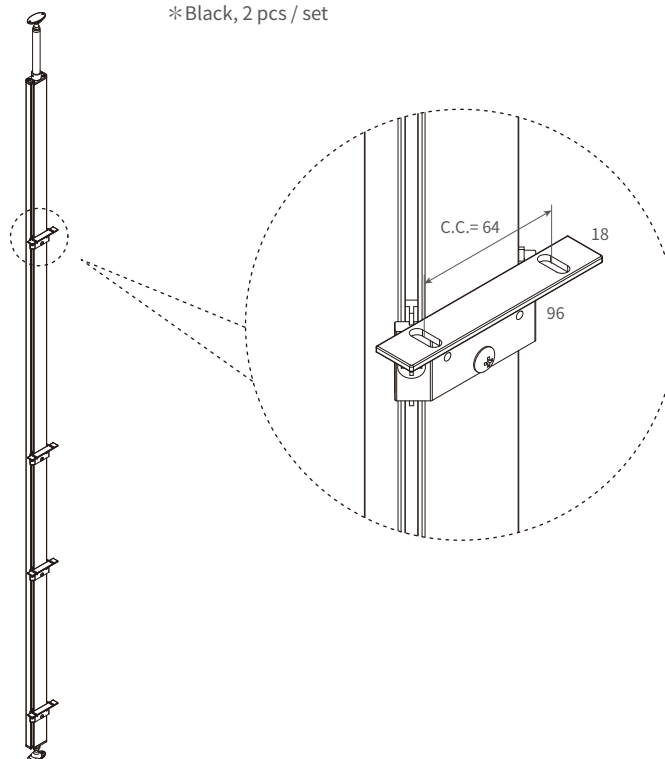
4WSpace Interior Room Divider / Partition

APS Pole Room Divider 鋁柱式隔間

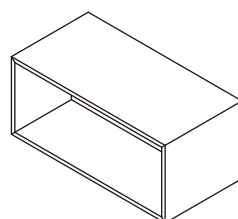
APS
Pole Element 鋁柱基本件
*AH= 50 ~ 1200mm



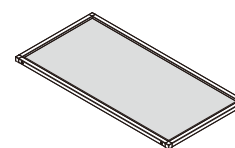
APS2-2WSS96
Wooden Shelf Fixing Set 層板固定件
*Dimensions: (L) 96 x (W) 18 x (H) 32.7mm
*Black, 2 pcs / set



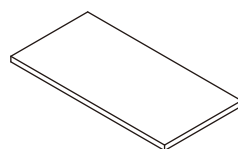
APS Open Cabinet 開口櫃



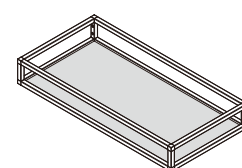
CUBE18 Framed Shelf 鋁框層板



Shelf panel 木層板



CUBE18 Framed Tray 鋁框盒架



4WSpace Interior Room Divider / Partition

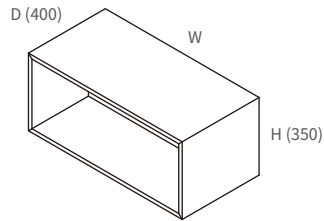
APS Pole Room Divider 鋁柱式隔間

The attachment 結合件

APS40-35

Open Cabinet

*Depth: 400mm

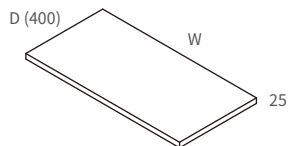


Model No.	Dimensions (W) x (D) x (H)
APS4060-35	600 x 400 x 350mm
APS4080-35	800 x 400 x 350mm
APS40100-35	1000 x 400 x 350mm

Shelf Panel

*Laminated chipboard 25mm thickness

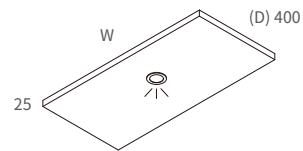
SP



Model No.	Dimensions (W) x (D) x (T)
SP4060	600 x 400 x 25mm
SP4080	800 x 400 x 25mm
SP40100	1000 x 400 x 25mm
SP40120	1200 x 400 x 25mm

SP-LED

With PLD100 LED down light

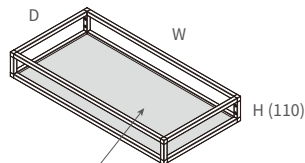


Model No.	Dimensions (W) x (D) x (T)
SP4060-LED	600 x 400 x 25mm
SP4080-LED	800 x 400 x 25mm
SP40100-LED	1000 x 400 x 25mm
SP40120-LED	1200 x 400 x 25mm

APS-CUTY

CUBE18 Framed Tray

*Height: 110mm



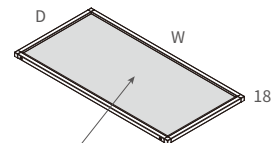
Glass or compact panel (5mm T.)
Laminated chipboard (8, 12, 16 or 18mm T.)
Acoustic panel (12mm T.)

Model No.	Dimensions (W) x (D) x (H)
APS4060-CUTY	600 x 400 x 110mm
APS4080-CUTY	800 x 400 x 110mm
APS40100-CUTY	1000 x 400 x 110mm
APS5080-CUTY	800 x 500 x 110mm
APS50100-CUTY	1000 x 500 x 110mm

SP-CU

CUBE18 Framed Shelf

*Height: 18mm



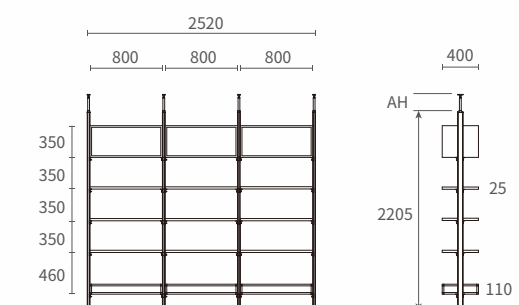
Glass or metal wire mesh
Laminated chipboard
Acoustic panel

Model No.	Dimensions (W) x (D) x (H)
SP4060-CU	600 x 400 x 18mm
SP4080-CU	800 x 400 x 18mm
SP40100-CU	1000 x 400 x 18mm
SP5080-CU	800 x 500 x 18mm
SP50100-CU	1000 x 500 x 18mm

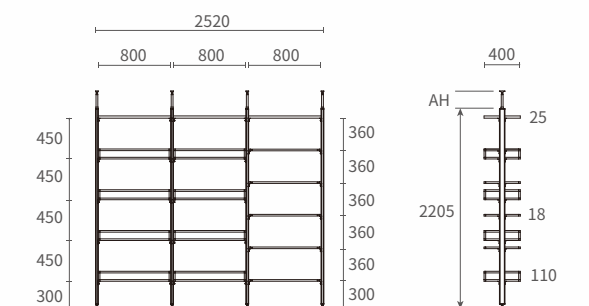
4WSpace Interior Room Divider / Partition

APS Pole Room Divider 鋁柱式隔間

Room divider by APS pole system



Dimensions:
(L) 2520
(D) 400
(H) 2205 + AH



*With PLD100 LED down light



Dimensions:
(L) 2520
(D) 400
(H) 2205 + AH

www.4wspace.com/roomdivider



康萊興業股份有限公司
FOUR WINDS CORPORATION

since 1978

11072 台北市基隆路一段176號12樓
12th Fl., No.176, Keelung Rd. Sec.1
Taipei 11072, Taiwan

T +886-2-2768-8389
F +886-2-2768-7955~7
E fw@fourwinds.com.tw